

Add-on board: RS232

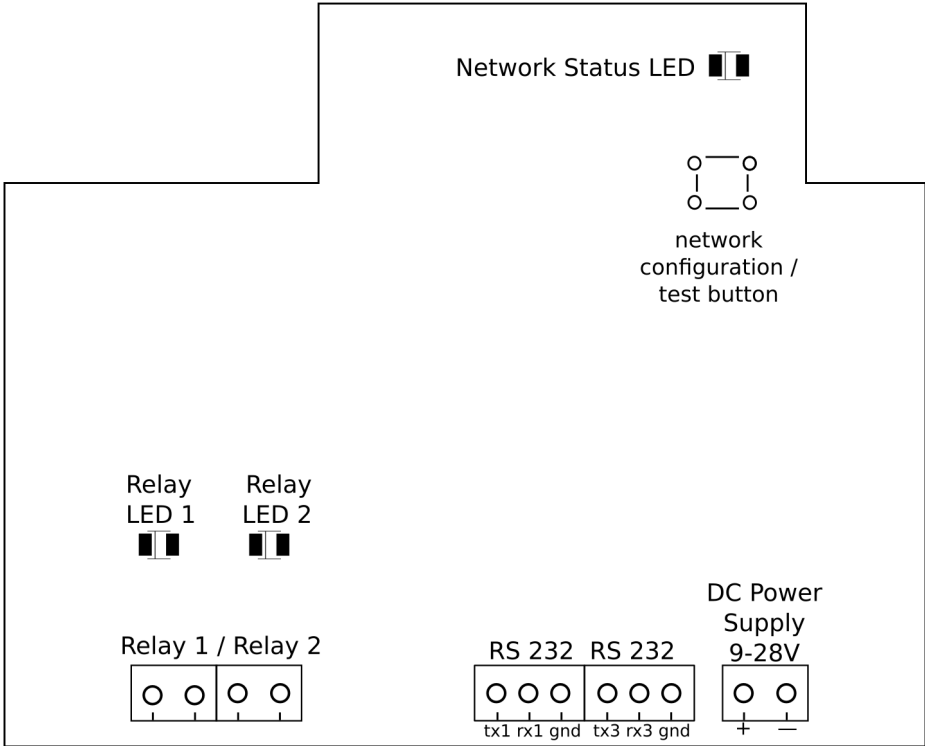


Image 3 : RS-232 Add-on Board